

1. SPECIFICATION

AZ-3135S-W

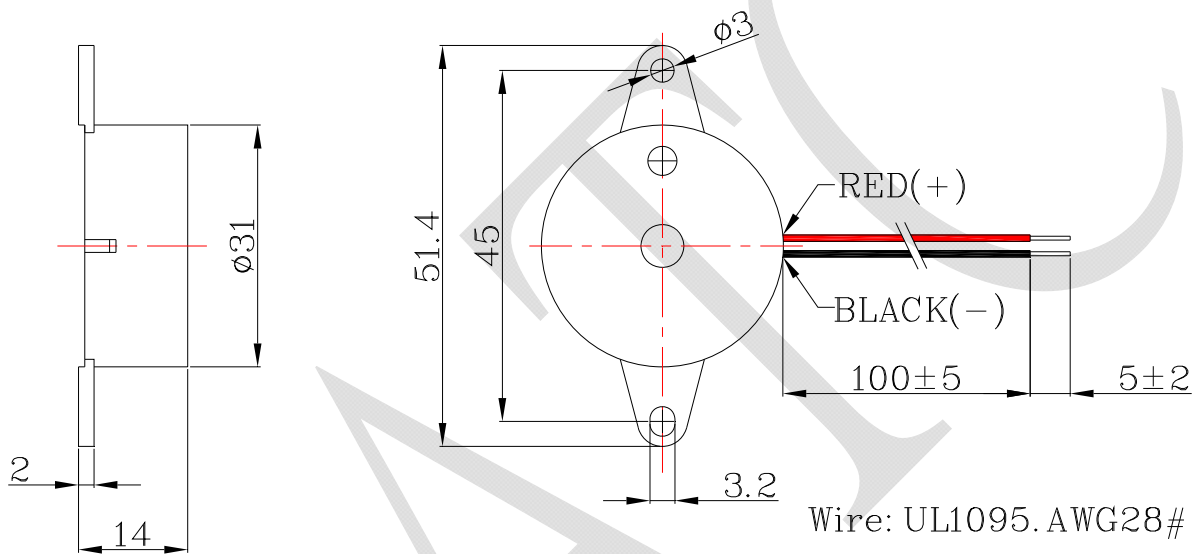
ITEM		UNITS	SPECIFICATIONS	CONDITIONS
01	Rated Voltage	V	9	VDC
02	Operating Voltage	V	3~ 20	
03	Rated Current	mA(Max)	9	Rated Voltage
04	Sound pressure level (Distance at 30cm)	dBA(Min)	95	Rated Voltage Rated Frequency
05	Rated Frequency	Hz	3500	Rated Voltage
06	Resonant Frequency	Hz	3500± 500	
07	Tone Nature	Single		
08	Operating Temp.	°C	-20 ~ +60	
09	Storage Temp.	°C	-30 ~ +70	
10	Weight	g	7.3	

REV NO.

REVISION NOTE

APPROVAL

DATE



RoHS

TITLE: <i>PIEZO BUZZER</i>		DRAWN: <i>Jerry</i> 2013/05/29	SCALE: 2:1	SHEET: 1 of 1
PART NO. <i>AZ-3135S-W</i>		DESIGNED: <i>R & D OF AAT</i>	UNITS: <i>mm</i>	
DWG NO. <i>UGPA31AX3509W100</i>		2 REV	TOLERANCE ± 0.5	
			UNLESS OTHERWISE SPECIFIED: ONE PLACE DECIMAL \pm *** TWO PLACE DECIMAL \pm *** THREE PLACE DECIMAL \pm ***	
		APPROVAL:		
		MATERIAL: <i>ABS</i>		



ADVANCED ACOUSTIC TECHNOLOGY CORPORATION

For more information, please contact AATC.

AATC