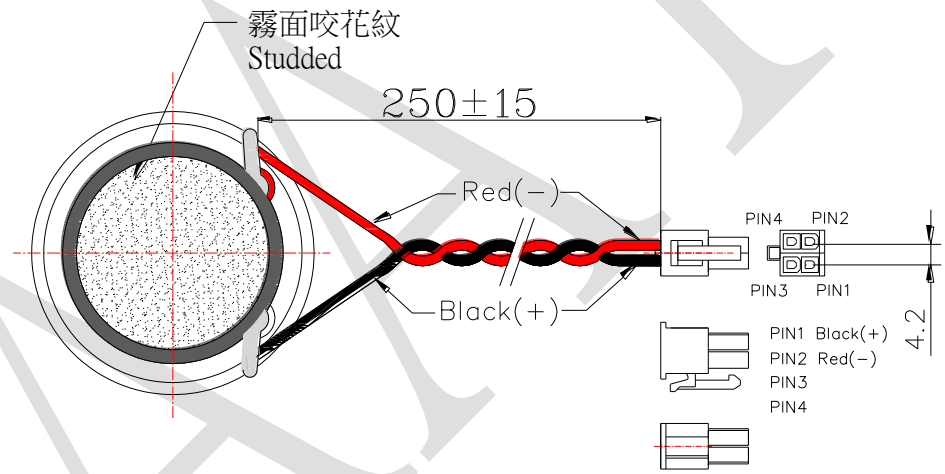
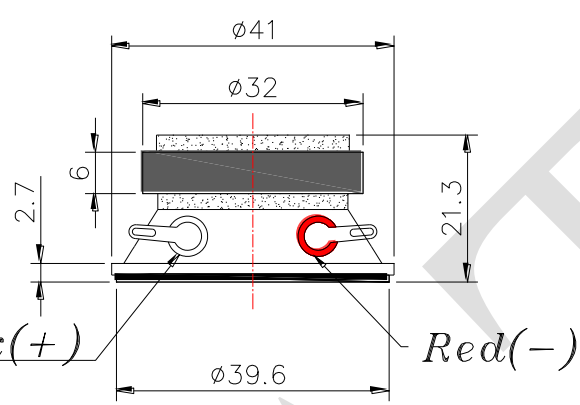
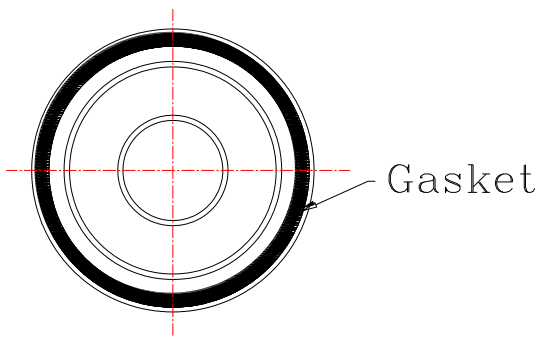


1. SPECIFICATION

AK-410850-MM-1C

ITEM		SPECIFICATIONS	
01	Type	Dynamic speaker	
02	Dimension	External diameter 41 mm	
03	Rated Input Power	5 W	
04	Max. Input Power	10 W for 1 minute	
05	Impedance	$8\Omega \pm 15\%$ at 0.8KHz 1V	
06	Resonance Frequency (Fo)	1160 Hz $\pm 20\%$ at Fo, 1V	
07	Sound pressure level	90 dB(1.0W/0.5M) ± 3 dB	at AVE 1.2, 1.5, 1.7, 2.0 KHz.
		109 dB(5.0W/0.1M) ± 3 dB	
08	Frequency Range	Fo – 2.7K Hz	
09	Total Harmonics Distortion	Max 10 % at 1 KHz, 1.5V.	

REV NO.	REVISION NOTE	APPROVAL	DATE
---------	---------------	----------	------



WIRE: UL1007,AWG24#
CONNECTOR: C4202H00-2*2P

RoHS

TITLE: DYNAMIC SPEAKER	DRAWN: Zack	2018/08/17	SCALE: 2:1	SHEET: 1:1
PART NO. AK-410850-MM-1C	DESIGNED: R&D OF AAT		UNITS: mm	
DWG NO. TMR-040FTL-R+ Wire	CHECKED:		TOLERANCE ± 0.5	
	APPROVAL:		UNLESS OTHERWISE SPECIFIED:	
	MATERIAL: SPCC		ONE PLACE DECIMAL ± ***	
			TWO PLACE DECIMAL ± ***	
			THREE PLACE DECIMAL ± ***	



ADVANCED ACOUSTIC TECHNOLOGY CORPORATION

For more information, please contact AATC.

AATC