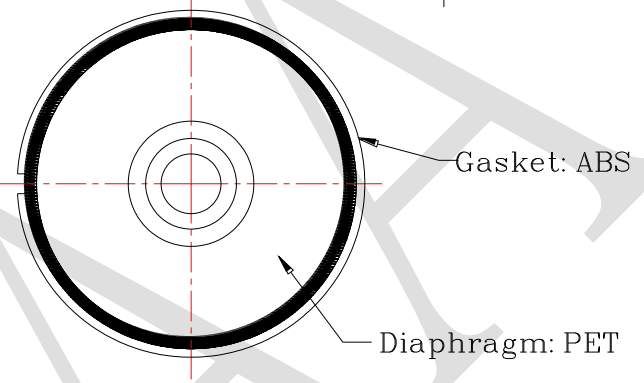
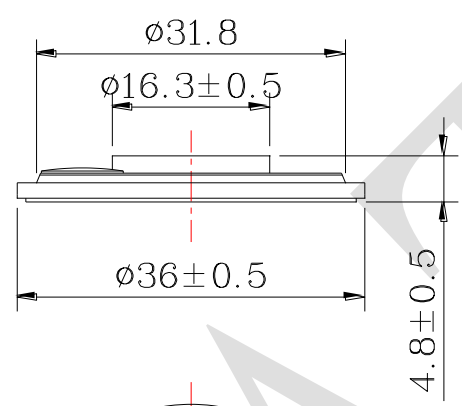
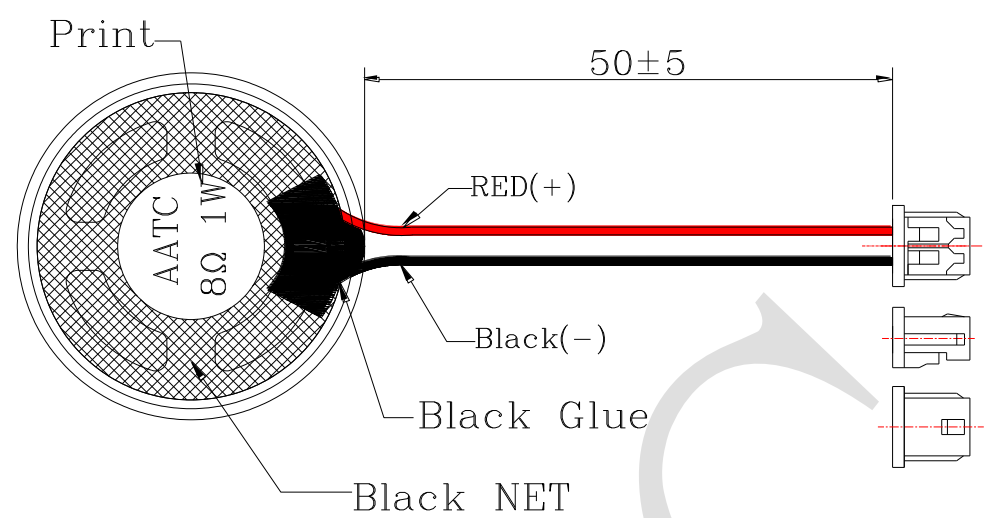


1. SPECIFICATION

AK-3608BB-6-LF

ITEM		SPECIFICATIONS	
01	Type	Dynamic speaker	
02	Dimension	External diameter 36 mm	
03	Rated Input Power	1.0 W	
04	Max. Input Power	1.5 W for 1 minute	
05	Impedance	$8\Omega \pm 15\%$ at 2KHz 1V	
06	Resonance Frequency (Fo)	530 Hz \pm 20% at Fo, 1V	
07	Sound pressure level	101dB(1.0W/0.1M) \pm 3 dB	at AVE 0.8,1.0,1.2,1.6KHz.
08	Frequency Range	Fo – 6 K Hz	
09	Total Harmonics Distortion	Max 10 % at 1 KHz, 1.0W	

REV NO.	REVISION NOTE	APPROVAL	DATE
---------	---------------	----------	------



RoHS

WIRE: UL 1571.AWG30#
CONNECTOR: Equivalent to Molex 51021-0200

TITLE: DYNAMIC SPEAKER		DRAWN: Zack	2018/05/24	SCALE: 2:1	SHEET: 1:1
PART NO. AK-3608BB-6C1		DESIGNED: R&D OF AAT	UNITS: mm		
DWG NO. CXS36048LP50-R08W1.0-C21	3 REV	CHECKED:	TOLERANCE ± 0.5		
		APPROVAL:	UNLESS OTHERWISE SPECIFIED: ONE PLACE DECIMAL ± *** TWO PLACE DECIMAL ± *** THREE PLACE DECIMAL ± ***		
		MATERIAL: SPCC			



ADVANCED ACOUSTIC TECHNOLOGY CORPORATION

For more information, please contact AATC.

AATC