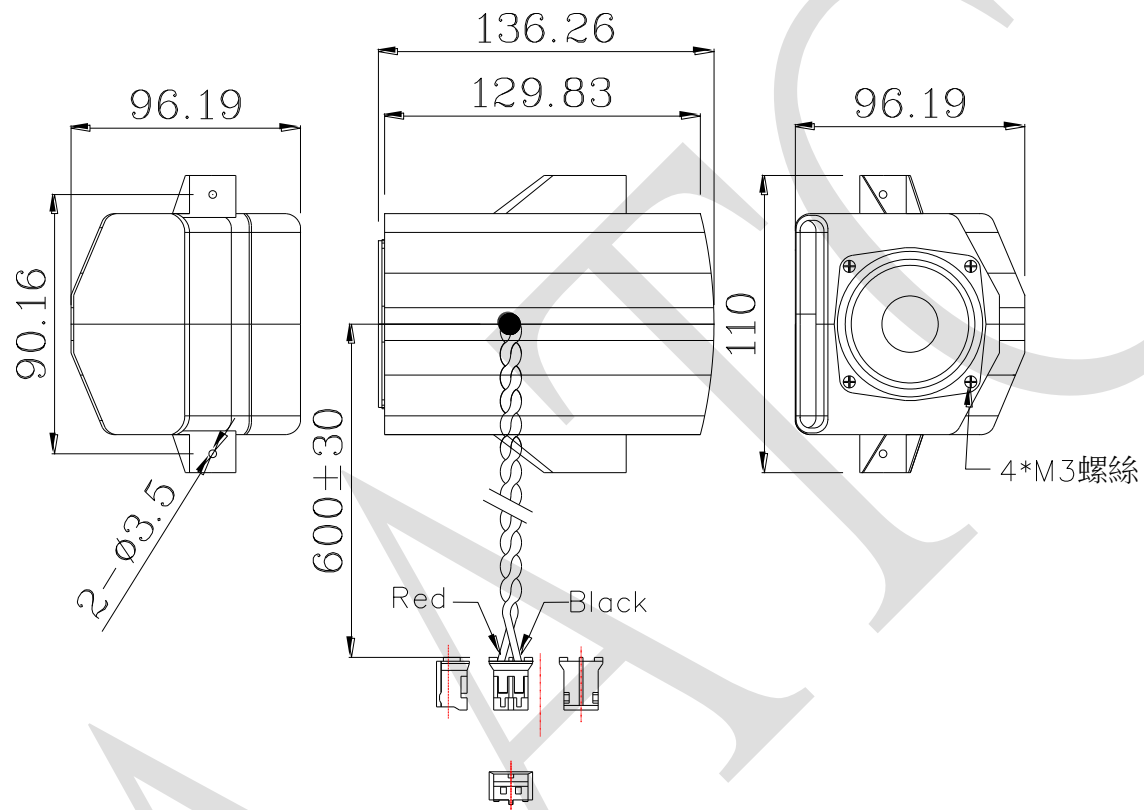


## 1. SPECIFICATION

AKB-961100810-PPU-1C

ITEM		SPECIFICATIONS	
01	Type	Dynamic Speaker	
02	Dimension	External diameter 96 x 110 mm	
03	Rated Input Power	10 W	
04	Max. Input Power	15 W for 1 minute	
05	Impedance	$8\Omega \pm 15\%$ at 2 KHz 1V	
06	Resonance Frequency (Fo)	260 Hz $\pm$ 20% at Fo, 1V	
07	Sound pressure level	97 dB(1.0W/0.5M) $\pm$ 3 dB	at AVE 0.4, 0.5, 0.6, 0.8 KHz.
08	Frequency Range	Fo – 10 K Hz	
09	Total Harmonics Distortion	Max 10 % at 1 KHz, 1.0W.	

REV NO.	REVISION NOTE	APPROVAL	DATE
---------	---------------	----------	------



WIRE: UL1571,AWG26#  
 CONNECTOR: Equivalent to JST PHR-2

RoHS

TITLE: DYNAMIC SPEAKER		DRAWN: Zack	2018/01/09	SCALE: 1:1	SHEET: 1 : 1
PART NO. AKB-961100810-PPU-1C		DESIGNED: R & D OF AAT	UNITS: mm		
DWG NO. CXS5353125LP600-R08W10-A-BOX		CHECKED:	TOLERANCE ± 0.5		
		APPROVAL:	UNLESS OTHERWISE SPECIFIED:		
REV 2		MATERIAL: ABS	ONE PLACE DECIMAL ± ***		
			TWO PLACE DECIMAL ± ***		
			THREE PLACE DECIMAL ± ***		



ADVANCED ACOUSTIC TECHNOLOGY CORPORATION

For more information, please contact AATC.

AATC