

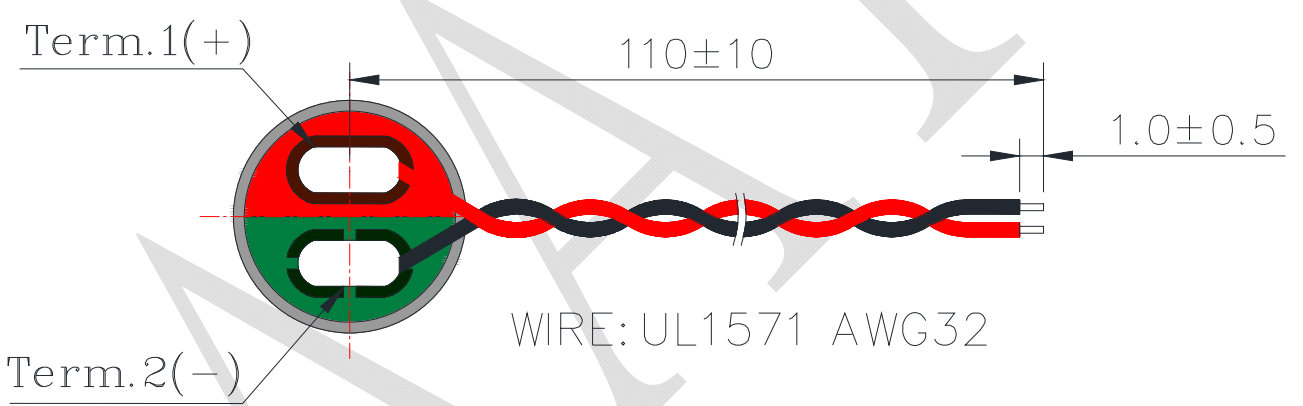
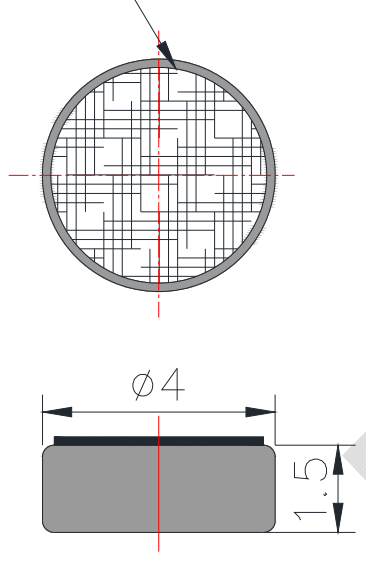
1. SPECIFICATIONS

AMB-O40J38-CW

01	Electret's Type	Back type
02	Sensitivity	-38±3dB (0dB=1V/Pa,1KHz)
03	Standard Operation Voltage	2.0 V
04	Output Impedance	2.2 KΩ
05	Directivity	Omni directional
06	Frequency Range	100 - 20K Hz
07	Max. Operation Voltage	10V
08	Current Consumption	Max.0.5mA
09	Sensitivity Reduction	Within -3dB 0dB=1V/Pa,1KHz Vs=2.0to 1.0V
10	S/N Ratio	≥58dB
11	Sound Pressure Level	110 dB
12	Operating Temperature	-20~+60°C
13	Storage Temperature	-30~+70°C

REV NO.	REVISION NOTE	APPROVAL	DATE
---------	---------------	----------	------

White Filter IP67



RoHS

TITLE: MICROPHONE		DRAWN: <i>Zack</i> 2011/12/15	SCALE: 5:1	SHEET: 1 of 1
PART NO. AMB-040J38-CW	1	DESIGNED: R & D OF AAT	UNITS: mm	
DWG NO. OB-F15LX38-1189-C10C33EP		CHECKED:	TOLERANCE ± 0.3	
	REV	APPROVAL:	UNLESS OTHERWISE SPECIFIED:	
		MATERIAL: *****	ONE PLACE DECIMAL ± ***	
			TWO PLACE DECIMAL ± ***	
			THREE PLACE DECIMAL ± ***	



ADVANCED ACOUSTIC TECHNOLOGY CORPORATION

For more information, please contact AATC.

AATC