

1. SPECIFICATION

AZ-1440S-PN

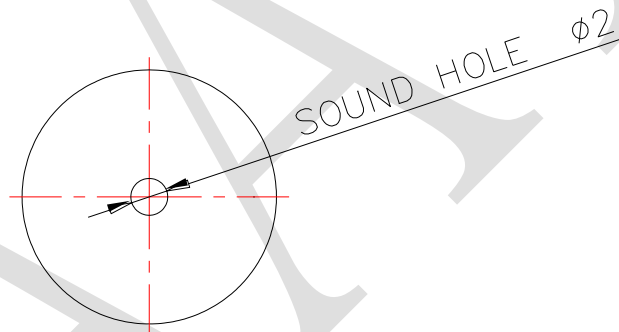
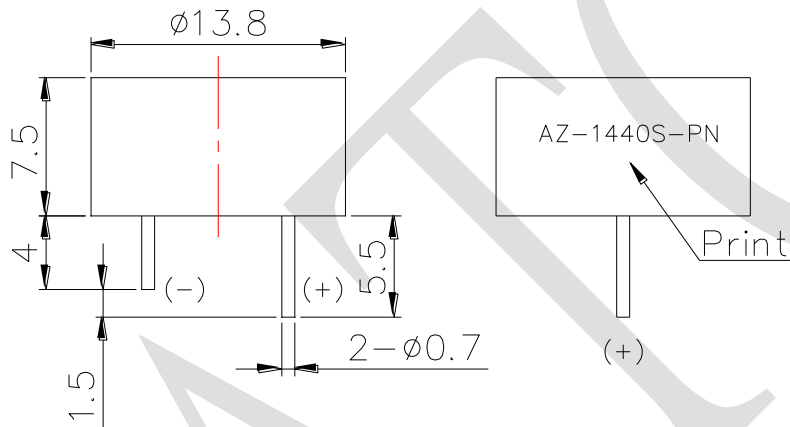
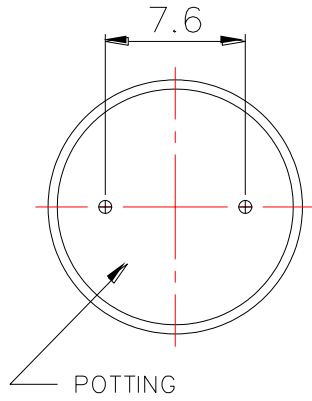
ITEM		UNITS	SPECIFICATIONS	CONDITIONS
01	Rated Voltage	V	12	VDC
02	Operating Voltage	V	3 ~ 16	
03	Rated Current	mA(Max)	7	Rated Voltage
04	Sound pressure level (Distance at 10cm)	dBA(Min)	80	Rated Voltage Rated Frequency
05	Rated Frequency	Hz	4000	Rated Voltage
06	Resonant Frequency	Hz	4000 ± 500	

REV NO.

REVISION NOTE

APPROVAL

DATE



RoHS

TITLE: <i>PIEZO BUZZER</i>		DRAWN: Zack	2013/09/25	SCALE: 2:1	SHEET: 1 of 1
PART NO. <i>AZ-1440S-PN</i>		DESIGNED: <i>R & D OF AAT</i>		UNITS: <i>mm</i>	
DWG NO. <i>UGPM14AX4012P</i>	1 REV	CHECKED:		TOLERANCE ± 0.5	
		APPROVAL:		UNLESS OTHERWISE SPECIFIED:	
		MATERIAL: <i>NORYL</i>		ONE PLACE DECIMAL ± ***	
				TWO PLACE DECIMAL ± ***	
				THREE PLACE DECIMAL ± ***	



ADVANCED ACOUSTIC TECHNOLOGY CORPORATION

For more information, please contact AATC.

AATC